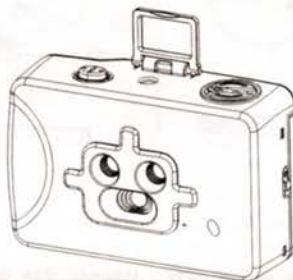
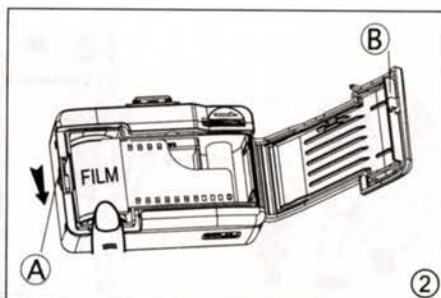
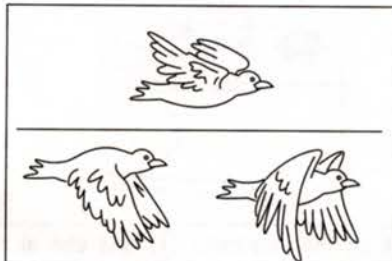


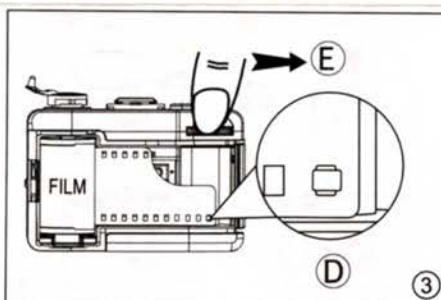
35mm 3 LENS CAMERA USER MANUAL



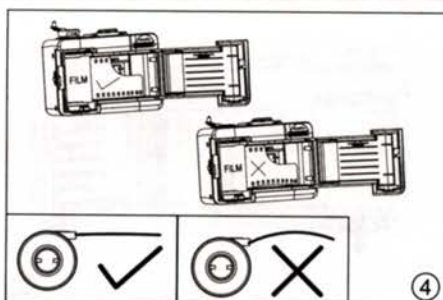
This Camera is built-in with three lens that capture three sequential photos within each frame by only one touch of its shutter release button. This epoch-making camera arrests a fast moving object and resolves its movement into three sequential photos.



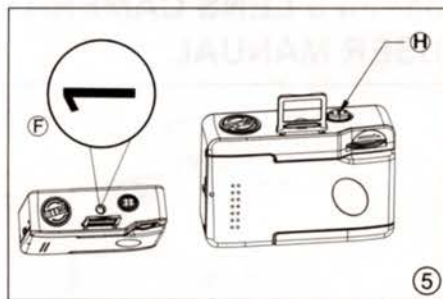
Slide down the latch (A) in the direction of the arrow and open the camera back door (B). And place a new roll of film into the film chamber.



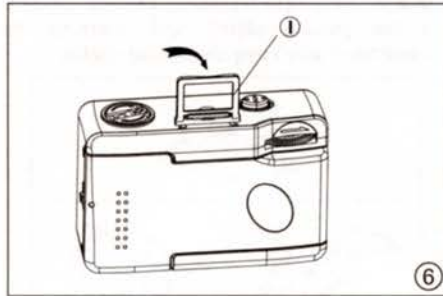
Pull out the film from the film canister, insert the film leading edge into take-up spool and hook the hole onto the film take-up spool (D). Slightly advance the film by turning the film advance wheel (E).



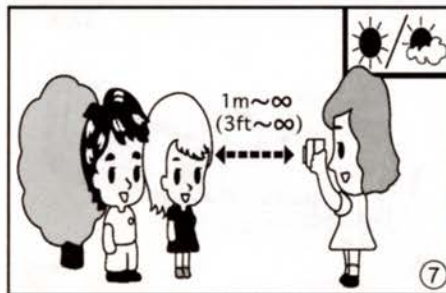
Ensure that the film lays flat against the center of the camera and close the camera's back door.



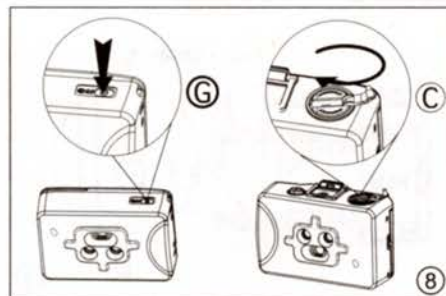
Continue to advance the film by turning the film advance wheel until it stops. Press the shutter button (H). Repeat this procedure one more time. The Film Counter (F) will now show number "1", and the camera is ready for taking pictures.



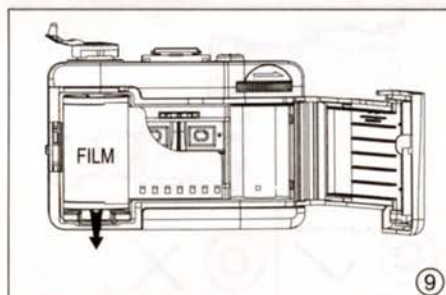
Pull up the viewfinder (I) and aim at the subject you are going to take.



For best results, stand at least 1 meter (3 feet) from the subject and take photos in sunny or partly sunny weather. When taking pictures, keep the sun at your back.



After all the pictures are taken, press the rewind button (G) located at the bottom of the camera. Turn the film rewind crank (C) clockwise until all film is re-wound back into the film canister.



Open the camera back door and remove the film for processing.